





Intended to alert the user to the presence of uninsulated “dangerous voltage” within the product’s enclosure that may be of sufficient magnitude to constitute a risk of electric shock to persons.



Intended to alert the user of the presence of important operating and maintenance (servicing) instructions in the literature accompanying the product.

CAUTION: Risk of electrical shock — DO NOT OPEN!

CAUTION: To reduce the risk of electric shock, do not remove cover. No user serviceable parts inside. Refer servicing to qualified service personnel.

WARNING: To prevent electrical shock or fire hazard, do not expose this appliance to rain or moisture. Before using this appliance, read the operating guide for further warnings.



Este símbolo tiene el propósito, de alertar al usuario de la presencia de “(voltaje) peligroso” sin aislamiento dentro de la caja del producto y que puede tener una magnitud suficiente como para constituir riesgo de descarga eléctrica.



Este símbolo tiene el propósito de alertar al usuario de la presencia de instrucciones importantes sobre la operación y mantenimiento en la información que viene con el producto.

PRECAUCION: Riesgo de descarga eléctrica ¡NO ABRIR!

PRECAUCION: Para disminuir el riesgo de descarga eléctrica, no abra la cubierta. No hay piezas útiles dentro. Deje todo mantenimiento en manos del personal técnico cualificado.

ADVERTENCIA: Para evitar descargas eléctricas o peligro de incendio, no deje expuesto a la lluvia o humedad este aparato. Antes de usar este aparato, lea más advertencias en la guía de operación.



Ce symbole est utilisé dans ce manuel pour indiquer à l'utilisateur la présence d'une tension dangereuse pouvant être d'amplitude suffisante pour constituer un risque de choc électrique.



Ce symbole est utilisé dans ce manuel pour indiquer à l'utilisateur qu'il ou qu'elle trouvera d'importantes instructions concernant l'utilisation et l'entretien de l'appareil dans le paragraphe signalé.

ATTENTION: Risques de choc électrique — NE PAS OUVRIR!

ATTENTION: Afin de réduire le risque de choc électrique, ne pas enlever le couvercle. Il ne se trouve à l'intérieur aucune pièce pouvant être réparée par l'utilisateur. Confiez l'entretien et la réparation de l'appareil à un réparateur Peavey agréé.

AVERTISSEMENT: Afin de prévenir les risques de décharge électrique ou de feu, n'exposez pas cet appareil à la pluie ou à l'humidité. Avant d'utiliser cet appareil, lisez attentivement les avertissements supplémentaires de ce manuel.



Dieses Symbol soll den Anwender vor unisolierten gefährlichen Spannungen innerhalb des Gehäuses warnen, die von Ausreichender Stärke sind, um einen elektrischen Schlag verursachen zu können.



Dieses Symbol soll den Benutzer auf wichtige Instruktionen in der Bedienungsanleitung aufmerksam machen, die Handhabung und Wartung des Produkts betreffen.


VORSICHT: Risiko — Elektrischer Schlag! Nicht öffnen!

VORSICHT: Um das Risiko eines elektrischen Schlages zu vermeiden, nicht die Abdeckung entfernen. Es befinden sich keine Teile darin, die vom Anwender repariert werden könnten. Reparaturen nur von qualifiziertem Fachpersonal durchführen lassen.

ACHTUNG: Um einen elektrischen Schlag oder Feuergefahr zu vermeiden, sollte dieses Gerät nicht dem Regen oder Feuchtigkeit ausgesetzt werden. Vor Inbetriebnahme unbedingt die Bedienungsanleitung lesen.

IMPORTANT SAFETY INSTRUCTIONS

WARNING: When using electrical products, basic cautions should always be followed, including the following:

1. Read these instructions.
2. Keep these instructions.
3. Heed all warnings.
4. Follow all instructions.
5. Do not use this apparatus near water.
6. Clean only with a dry cloth.
7. Do not block any of the ventilation openings. Install in accordance with manufacturer's instructions.
8. Do not install near any heat sources such as radiators, heat registers, stoves or other apparatus (including amplifiers) that produce heat.
9. Do not defeat the safety purpose of the polarized or grounding-type plug. A polarized plug has two blades with one wider than the other. A grounding type plug has two blades and a third grounding plug. The wide blade or third prong is provided for your safety. If the provided plug does not fit into your outlet, consult an electrician for replacement of the obsolete outlet.
10. Protect the power cord from being walked on or pinched, particularly at plugs, convenience receptacles, and the point they exit from the apparatus.
11. Note for UK only: If the colors of the wires in the mains lead of this unit do not correspond with the terminals in your plug, proceed as follows:
 - a) The wire that is colored green and yellow must be connected to the terminal that is marked by the letter E, the earth symbol, colored green or colored green and yellow.
 - b) The wire that is colored blue must be connected to the terminal that is marked with the letter N or the color black.
 - c) The wire that is colored brown must be connected to the terminal that is marked with the letter L or the color red.
12. Only use attachments/accessories provided by the manufacturer.
13. Use only with a cart, stand, tripod, bracket, or table specified by the manufacturer, or sold with the apparatus. When a cart is used, use caution when moving the cart/apparatus combination to avoid injury from tip-over.
14.  Unplug this apparatus during lightning storms or when unused for long periods of time.
15. Refer all servicing to qualified service personnel. Servicing is required when the apparatus has been damaged in any way, such as power-supply cord or plug is damaged, liquid has been spilled or objects have fallen into the apparatus, the apparatus has been exposed to rain or moisture, does not operate normally, or has been dropped.
16. Never break off the ground pin. Write for our free booklet "Shock Hazard and Grounding." Connect only to a power supply of the type marked on the unit adjacent to the power supply cord.
17. If this product is to be mounted in an equipment rack, rear support should be provided.
18. Exposure to extremely high noise levels may cause a permanent hearing loss. Individuals vary considerably in susceptibility to noise-induced hearing loss, but nearly everyone will lose some hearing if exposed to sufficiently intense noise for a sufficient time. The U.S. Government's Occupational Safety and Health Administration (OSHA) has specified the following permissible noise level exposures:

Duration Per Day In Hours	Sound Level dBA, Slow Response
8	90
6	92
4	95
3	97
2	100
1 1/2	102
1	105
1/2	110
1/4 or less	115

According to OSHA, any exposure in excess of the above permissible limits could result in some hearing loss. Ear plugs or protectors to the ear canals or over the ears must be worn when operating this amplification system in order to prevent a permanent hearing loss, if exposure is in excess of the limits as set forth above. To ensure against potentially dangerous exposure to high sound pressure levels, it is recommended that all persons exposed to equipment capable of producing high sound pressure levels such as this amplification system be protected by hearing protectors while this unit is in operation.

SAVE THESE INSTRUCTIONS!

ENGLISH

Congratulations on your purchase of the Peavey Nashville 112. As the leader in steel guitar amplification, we are proud to offer you this smaller, more portable, lightweight cousin to the popular Nashville 1000 amplifier. This amp has all of the same front panel features as the 1000 along with a newly designed 80 Watt power section, an added headphone jack, and a CD input which makes it an ideal choice for practice or small venues. The Nashville 112 also features a long-pan Accutronics reverb and a newly designed 12" Blue Marvel speaker that has been carefully voiced for steel guitar applications.

We know you are anxious to start playing, so we've included a "Quick Start" section and a "Recommended Settings" section. These are certain to get you on your way. However, **it is important that you read the safety precautions first.** Scan through this manual and locate these safety icons:



Each safety icon is followed by a warning. Read that warning carefully before continuing. Once you have read all of the warnings, refer to the "Quick Start" section below if you so desire. It is recommended that you read this manual in its entirety to fully understand the functions of each feature.

Quick Start - I just wanna play!

The following section takes a "jump in and get your feet wet" approach. If any part seems confusing, refer to the more detailed sections that follow.

Step 1. Insure that you have read and understand all safety warnings noted through-out the manual. It is imperative that you follow these precautions for the safety of yourself and your amp.

Step 2. With the amp turned off, plug the power cord into the proper voltage supply indicated on the back of the unit near the cord retainer.

Step 3. Plug your guitar into either the High or Low Gain input and turn all knobs counterclockwise to their "o" position.

Step 4. Using the "Recommended Settings" on page 8, find the type of tone that most closely resembles the tone you wish to obtain.

Step 5. Set the knobs on the front of the unit to match the setting you have selected.

Step 6. Turn your guitar volume down and turn the amp on via the power switch on the back of the unit.

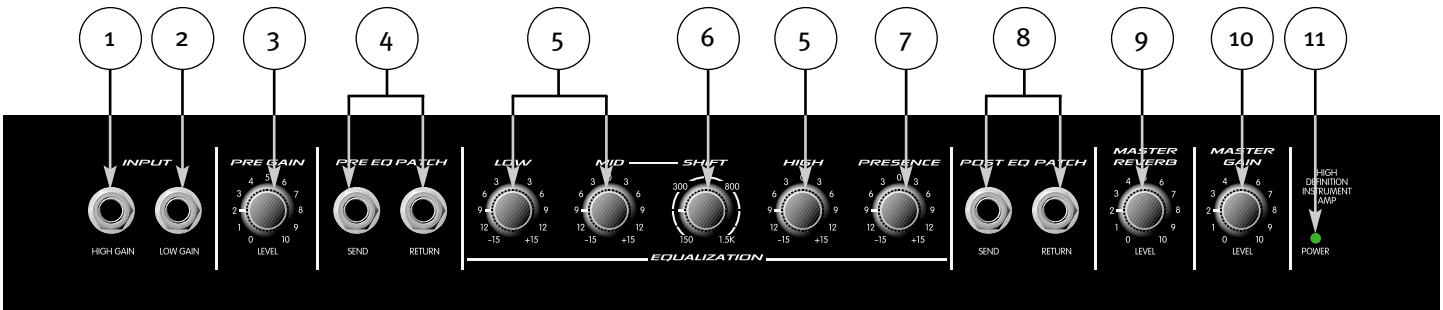
Step 7 Gradually turn the volume of your guitar all the way up or until you are comfortable with the level/tone.

Step 8 To adjust the overall level, use the Master Gain control.

Step 9. To adjust out any undesirable distortion, use the Pre Gain knob. Turning the knob counter-clockwise results in a decreased level, thus reducing the overdriven signal. Any external effects units can also cause the signal to overdrive.

Step 10. You should be able to play at this time. Vary the Reverb and/or EQ knobs to get a feel for their effect on your tone. Most importantly....**READ THE REST OF THIS MANUAL.**

Front Panel



(1) High Gain Input

High Gain Input used for most electric guitars. It is 10 dB louder than the Low Gain input.

(2) Low Gain

Low Gain is provided for instruments that have extremely high outputs, which can result in overdriving (distorting) the High Gain input. If both inputs are used simultaneously, the output levels are the same (Both are low gain.).

(3) Pre Gain

Pre Gain controls the input level of the Nashville 112. Adjusting this control clockwise will increase the input level resulting in a hotter, more responsive signal.

(4) Pre EQ Patch (Volume Pedal Patch)

These 1/4" mono jacks allow for Pre EQ effects patching. Connect a quality shielded instrument cable between the "send" jack and the input of your external effects unit. Connect another quality shielded instrument cable from the output of your effects unit to the "return" jack. Pay attention to the external effects unit levels (input and output) to avoid distortion. Consult the owner's manual for your effects unit. It should be noted that too strong a signal at the return jack can overdrive the EQ section of the Nashville 112. If this happens, the effects unit output should be reduced.

(5) Low, Mid, and High EQ

This section is an active tone control. Adjusting these knobs clockwise from the center (o) position will amplify the low, mid, or high frequency content. Adjusting counterclockwise from the center (o) position will attenuate the low, mid, or high frequency content.

(6) Shift

The Shift knob changes the center frequency of the Mid EQ (5), allowing you to tailor the Nashville 112 EQ to accommodate your tone requirements. The center frequency can be adjusted from 150 Hz to 1.5 kHz. Keep in mind that the further you turn the knob away from a frequency, the less affect the Mid EQ will have on that frequency.

Note: The shift and MID controls interact in determining the preferred mid-range settings.

(7) Presence

Presence is an active tone control that boosts the extreme high frequencies up to 15 dB.

(8) Post EQ Patch

Similar to the Pre EQ Patch(4), these jacks are post EQ. The same connections apply. The return level should still be monitored for its strength. In addition, the Post EQ Patch can be taken in and out of the signal path via the footswitch (not included).

(9) Master Reverb

Adjusting this control clockwise will result in more reverb content in the output of the amp. The reverb can be defeated by rotating the control counterclockwise or via the footswitch (not included).

Master Gain (10)

The Master Gain controls the overall volume level of the amplifier. The final adjustment to this control should be made after the desired sound/tone has been achieved.

Power LED (11)

The Power LED illuminates when power is supplied to the amp. If this LED is lit, the amp is on.

Rear Panel



(12) Power Switch

Placing this switch in the “On” position will result in power being supplied to the unit. The Power LED (11) will illuminate when the amp is on.

(13) Power Amp In

This mono 1/4" jack provides an input to the power amplifier. When used in conjunction with the Preamp Out jack (14), an effects loop is formed allowing the use of external equalizers and effects.

(14) Preamp Out / CD Input

This mono 1/4" jack provides an output from the preamp. When used in conjunction with the Power Amp In jack (13), an effects loop is formed allowing the use of external equalizers and effects. This jack can also be used to connect the output of a CD or tape player to the power amp for “play along” practicing. A shielded stereo cable should be used to connect to the CD input.

(15) Line Out

The Line Out XLR jack offers you a balanced, low impedance output to go to a mixing board or snake. This can help to eliminate mics on stage as well as loud levels. This results in less chance of feedback as well. Use quality mic cables to make this patch.

(16) Headphone Jack

A headphone jack is provided for stereo headphones. This switching jack disengages the internal speaker when plugged in.

(17) Remote Switch

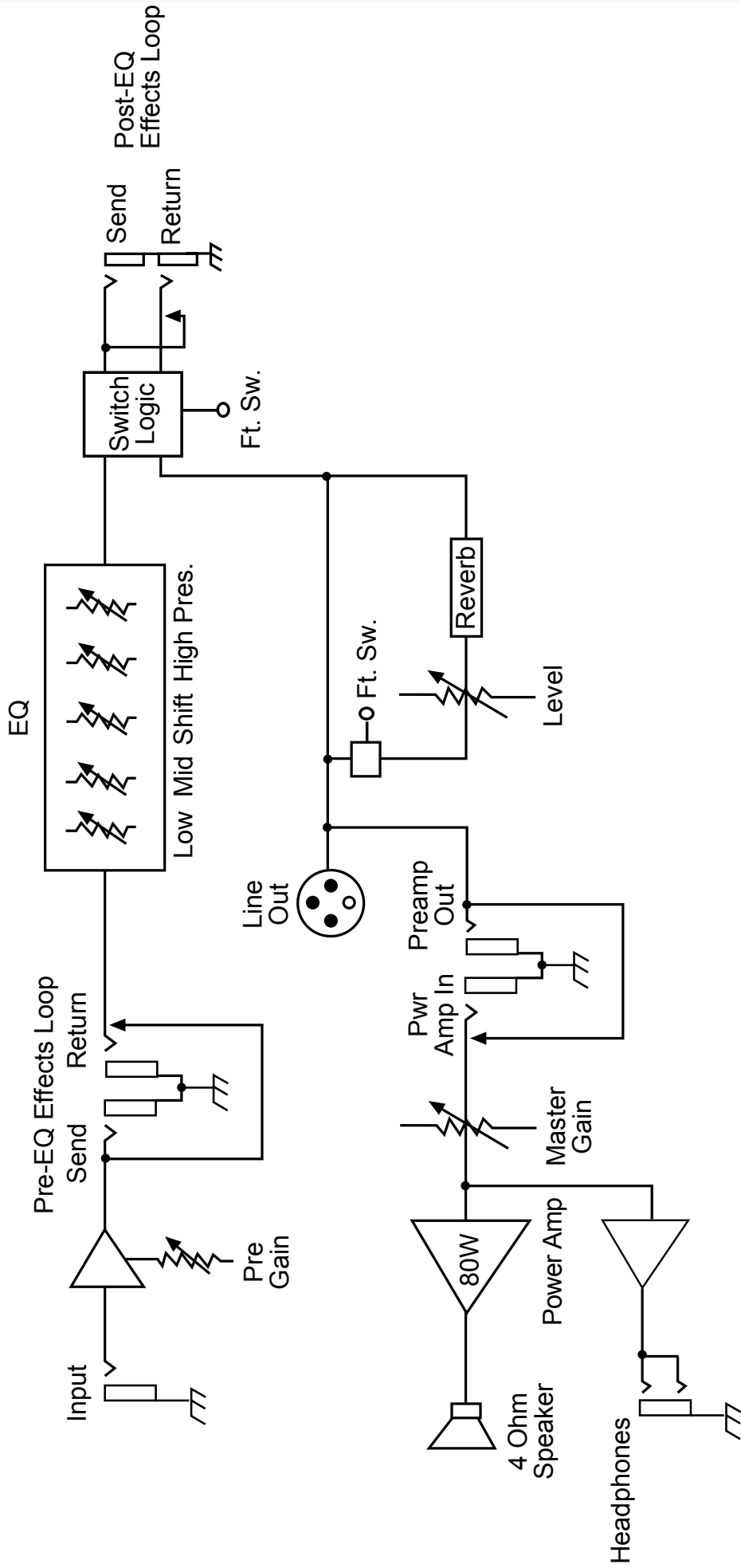
This jack is provided for the connection of the optional footswitch (part #90001791). The footswitch is a multi-function type, allowing you to to defeat the Reverb and/or the Post EQ Patch loop. To use the footswitch, insure that the footswitch plug is inserted fully into the jack.

Removable AC Power Cord

This receptacle is for the IEC line cord (included), which provides AC power to the unit. Connect the line cord to this connector and to a properly grounded AC supply. Damage to the equipment may occur if an improper line voltage is used (see voltage marking on unit). Never remove or cut the ground pin of the line cord plug. This unit is supplied with a properly rated line cord. When lost or damaged, replace this cord with one of the proper ratings.

Nashville™ 112

BLOCK DIAGRAM



NASHVILLE™ 112

SETTING EXAMPLES

Fiddle

Panel showing settings for Fiddle. Controls include: INPUT (High Gain), PRE GAIN (Level 2), PRE EQ PATCH (Send), LOW (Level 3), MID (Level 3), SHIFT (300), HIGH (Level 6), PRESENCE (Level 6), POST EQ PATCH (Return), MASTER REVERB (Level 3), MASTER GAIN (Level 2), HIGH DEFINITION INSTRUMENT AMP, and POWER.

Clean Lap Steel

Adjust to taste →

Panel showing settings for Clean Lap Steel. Controls include: INPUT (High Gain), PRE GAIN (Level 2), PRE EQ PATCH (Send), LOW (Level 3), MID (Level 3), SHIFT (300), HIGH (Level 6), PRESENCE (Level 6), POST EQ PATCH (Return), MASTER REVERB (Level 3), MASTER GAIN (Level 2), HIGH DEFINITION INSTRUMENT AMP, and POWER.

Steel: E9th

Adjust to taste →

Panel showing settings for Steel: E9th. Controls include: INPUT (High Gain), PRE GAIN (Level 2), PRE EQ PATCH (Send), LOW (Level 3), MID (Level 3), SHIFT (300), HIGH (Level 6), PRESENCE (Level 6), POST EQ PATCH (Return), MASTER REVERB (Level 3), MASTER GAIN (Level 2), HIGH DEFINITION INSTRUMENT AMP, and POWER.

Steel: C6th

Adjust to taste →

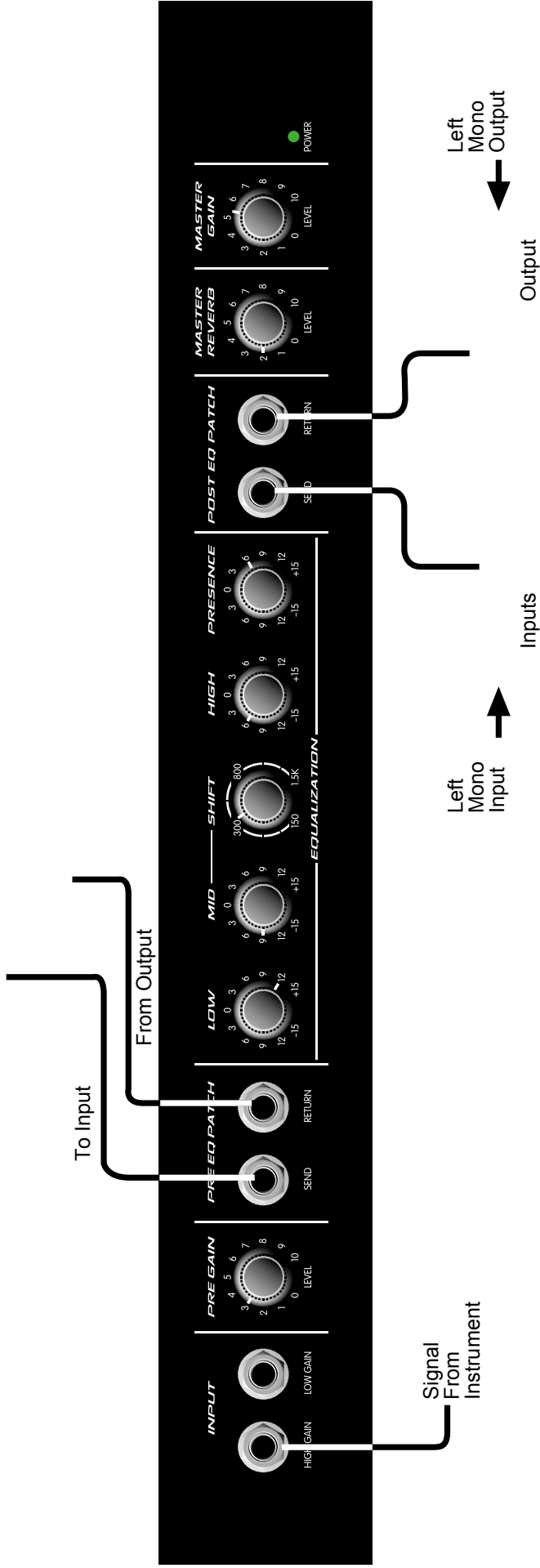
Panel showing settings for Steel: C6th. Controls include: INPUT (High Gain), PRE GAIN (Level 2), PRE EQ PATCH (Send), LOW (Level 3), MID (Level 3), SHIFT (300), HIGH (Level 6), PRESENCE (Level 6), POST EQ PATCH (Return), MASTER REVERB (Level 3), MASTER GAIN (Level 2), HIGH DEFINITION INSTRUMENT AMP, and POWER.

*For CLEAN settings: the MASTER should be a higher setting than the PRE GAIN to avoid premature signal clipping.

NASHVILLE™ 112

Hookup Diagram

Volume Pedal



Nashville™ 112

SPECIFICATIONS

Power amplifier section:

Rated power and load:

80 Watts RMS into 4 Ohms (with DDT™ compression)

Frequency response:

+0, -3 dB, 20 Hz to 20 kHz @ 80 Watts RMS into 4 Ohms

Total harmonic distortion:

Less than 0.3%, 1 Watt to 80 Watts RMS, 20 Hz to 20 kHz, 4 Ohms

DDT™ dynamic range:

Greater than 20 dB

DDT maximum THD:

Below 0.8% THD for 6 dB overload
Below 3.5% THD for 20 dB overload

Hum and noise:

Greater than 83 dB below rated power

Power consumption:

200 Watts, 50/60 Hz, 120 VAC (domestic)

Preamp section:

The following specs are measured @ 1kHz with the controls preset as follows:

Master gain @ 10
Low EQ @ 0 dB
Mid EQ @ 0 dB
Mid Shift @ 600 Hz
High EQ @ 0 dB
Presence EQ @ 0 dB
Reverb @ 0

Nominal levels are with pre gain @ 5

Minimum levels are with pre gain @ 10

Preamp high gain input (no pad):

Impedance: High Z, 220 k Ohms
Nominal input level: -29.9 dBV, 32 mV RMS
Minimum input level: -53.2 dBV, 2.2 mV RMS
Maximum input level: 8 dBV, 2.5 V RMS

Preamp Low Gain Input (-10 dB pad):

Impedance: High Z, 68k Ohms
Nominal input level: -19.9 dBV, 101 mV RMS
Minimum input level: -43.2 dBV, 6.9 mV RMS
Maximum input level: 18 dBV, 8 V RMS

Pre EQ patch send:

Load impedance: 10k Ohms or greater
Nominal output level: -18.6 dBV, 117 mV RMS

Pre EQ patch return:

Impedance: High Z, 220 k Ohms
Designed Input Level: -18.6 dBV, 117 mV RMS
(Switching jack provides send to return connection when not used)

Post EQ patch send:

Load impedance: 10 k Ohms or greater
Nominal output level: -14.1 dBV, 198 mV RMS

Post EQ patch return:

Impedance: High Z, 1 m Ohms
Designed Input Level: -14.1 dBV, 198 mV RMS
(Switching jack provides send to return connection when not used)

XLR line output:

Load impedance: 5 k Ohms or greater
Nominal output level: -3.1 dBV, 0.7 V RMS

Preamp output / CD input:

Load impedance: 10 k Ohms or greater
Nominal output level: -3.1 dBV, 0.7 V RMS
Nominal CD Input Level: -3.1 dBV, 0.7 V RMS
(Stereo cable must be used for CD Input to function)

Power amp input:

Impedance: High Z, 27 k Ohms
Designed Input Level: -3.1 dBV, 0.7 V RMS
(Switching jack provides preamp output to power amp input connection when not used)

System hum and noise @ nominal input level:

(20 Hz to 20 kHz unweighted)
Greater than 75 dB below rated power

Equalization:

Low: +/-15 dB @ 45 Hz, shelving
Mid: +/-15 dB @ Mid Shift frequency, boost/cut
Mid Shift: 150 Hz to 1.5 kHz
High: +/-15 dB @ 6 kHz (special EQ)
Presence: +/-15 dB @ 10 kHz, shelving

External footswitch (part #90001791, not included) functions:

Select effects: Post EQ effects Loop defeat
Reverb: Reverb defeat

Dimensions (H x W x D):

18.125" x 21.375" x 10.250"

Weight:

42.3 lbs.

PEAVEY ELECTRONICS CORPORATION LIMITED WARRANTY

EFFECTIVE DATE: JULY 1, 1998

What This Warranty Covers

Your Peavey Warranty covers defects in material and workmanship in Peavey products purchased and serviced in the U.S.A. and Canada.

What This Warranty Does Not Cover

The Warranty does not cover: (1) damage caused by accident, misuse, abuse, improper installation or operation, rental, product modification or neglect; (2) damage occurring during shipment; (3) damage caused by repair or service performed by persons not authorized by Peavey; (4) products on which the serial number has been altered, defaced or removed; (5) products not purchased from an Authorized Peavey Dealer.

Who This Warranty Protects

This Warranty protects only the original retail purchaser of the product.

How Long This Warranty Lasts

The Warranty begins on the date of purchase by the original retail purchaser. The duration of the Warranty is as follows:

Product Category	Duration
Guitars/Basses, Amplifiers, Pre-Amplifiers, Mixers, Electronic Crossovers and Equalizers	2 years *(+ 3 years)
Drums	2 years *(+ 1 year)
Enclosures	3 years *(+ 2 years)
Digital Effect Devices and Keyboard and MIDI Controllers	1 year *(+ 1 year)
Microphones	2 years
Speaker Components (incl. speakers, baskets, drivers, diaphragm replacement kits and passive crossovers) and all Accessories	1 year
Tubes and Meters	90 days

[*Denotes additional warranty period applicable if optional Warranty Registration Card is completed and returned to Peavey by original retail purchaser within 90 days of purchase.]

What Peavey Will Do

We will repair or replace (at Peavey's discretion) products covered by warranty at no charge for labor or materials. If the product or component must be shipped to Peavey for warranty service, the consumer must pay initial shipping charges. If the repairs are covered by warranty, Peavey will pay the return shipping charges.

How To Get Warranty Service

- (1) Take the defective item and your sales receipt or other proof of date of purchase to your Authorized Peavey Dealer or Authorized Peavey Service Center. OR
- (2) Ship the defective item, prepaid, to Peavey Electronics Corporation, International Service Center, 412 Highway 11 & 80 East, Meridian, MS 39301 or Peavey Canada Ltd., 95 Shields Court, Markham, Ontario, Canada L3R 9T5. Include a detailed description of the problem, together with a copy of your sales receipt or other proof of date of purchase as evidence of warranty coverage. Also provide a complete return address.

Limitation of Implied Warranties

ANY IMPLIED WARRANTIES, INCLUDING WARRANTIES OF MERCHANTABILITY AND FITNESS FOR A PARTICULAR PURPOSE, ARE LIMITED IN DURATION TO THE LENGTH OF THIS WARRANTY.

Some states do not allow limitations on how long an implied warranty lasts, so the above limitation may not apply to you.

Exclusions of Damages

PEAVEY'S LIABILITY FOR ANY DEFECTIVE PRODUCT IS LIMITED TO THE REPAIR OR REPLACEMENT OF THE PRODUCT, AT PEAVEY'S OPTION. IF WE ELECT TO REPLACE THE PRODUCT, THE REPLACEMENT MAY BE A RECONDITIONED UNIT. PEAVEY SHALL NOT BE LIABLE FOR DAMAGES BASED ON INCONVENIENCE, LOSS OF USE, LOST PROFITS, LOST SAVINGS, DAMAGE TO ANY OTHER EQUIPMENT OR OTHER ITEMS AT THE SITE OF USE, OR ANY OTHER DAMAGES WHETHER INCIDENTAL, CONSEQUENTIAL OR OTHERWISE, EVEN IF PEAVEY HAS BEEN ADVISED OF THE POSSIBILITY OF SUCH DAMAGES.

Some states do not allow the exclusion or limitation of incidental or consequential damages, so the above limitation or exclusion may not apply to you.

This Warranty gives you specific legal rights, and you may also have other rights which vary from state to state.

If you have any questions about this warranty or service received or if you need assistance in locating an Authorized Service Center, please contact the Peavey International Service Center at (601) 483-5365 / Peavey Canada Ltd. at (905) 475-2578.

FEATURES AND SPECIFICATIONS SUBJECT TO CHANGE WITHOUT NOTICE.



Features and specifications subject to change without notice.

Peavey Electronics Corporation • 711 A Street • Meridian, MS 39301
(601) 483-5365 • FAX (601) 486-1278 • www.peavey.com



80304961